

**Vegetable Slicer
TrinityPro Combined Vegetable Slicer/
Cutter Mixer 3,6 Lt - Single Speed - UK
plug**

ITEM # _____

MODEL # _____

NAME # _____

SIS # _____

AIA # _____



602162 (COM36G)

* NOT TRANSLATED *

Main Features

- Combined appliance with two functions: vegetable slicer and cutter mixer.
- Equipped with vegetable slicer attachment for slicing, grating, shredding (julienne) as well as dicing and French fries cutting.
- Cutter mixer and emulsifier function included, for fast chopping, mixing, mincing, griding, liquidizing and kneading.
- Equipped with half moon hopper (1,25lt capacity) and 2 small round feed chutes: Ø 25mm and Ø 55mm, for precise slicing of long shaped vegetables.
- Uniform cuts and maximised load capacity, thanks to the design patented lever-pusher.
- Large output chute for efficient ejection. Fits up to 200mm high standard kitchen containers (like GN) under the output chute.
- Continuous feed model.
- Pulse function for quick and precise slicing and grating.
- Ergonomical frontal lever, suitable for left handed and right handed operators.
- Vegetable slicer blade stops when lever pusher is lifted for operator safety.
- Optional discs and grids available of various sizes for slicing, dicing, grating and shredding (diam. 175mm).
- Includes 3,6 liter stainless steel bowl with micro-toothed blades rotor.
- Bowl/lid scraper included for uniform smooth results (emulsifying) and continuous working.
- Transparent lid, with funnel shaped hole, to add ingredients during use.
- All ingredients are processed evenly and quickly thanks to a special movement generated inside the bowl.
- Pulse function for coarse chopping.
- Easy to clean and waterproof control panel with flat on/off button and pulse function.
- All parts in contact with food are removable without the use of tools, completely dismountable and dishwasher safe.
- Productivity: up to 100 settings per service for vegetable slicer, up to 50 settings per service for cutter mixer function.
- ErgoCert 4-star certification for ergonomic design and ease of use.

APPROVAL: _____

Construction

- Food safety assured in accordance to European directives and UK legislation. In addition, materials in contact with food, are BPA-free.
- Product safety conform to European directives, UK legislation and international health and safety standards.
- 1 speed: 1.500 rpm.
- Power: 500 Watts.
- Bowl in AISI 304 stainless steel.
- Micro-toothed blades in 420 AISI stainless steel and ergonomic scraper in resistant composite material to ensure consistent mixing.
- IPX5 (IP55) waterproof, flat, touch-control panel.
- Main switch ON/OFF on the back of the appliance.
- Asynchronous industrial motor with no brushes for high reliability and quiet functioning, stainless steel motor shaft.

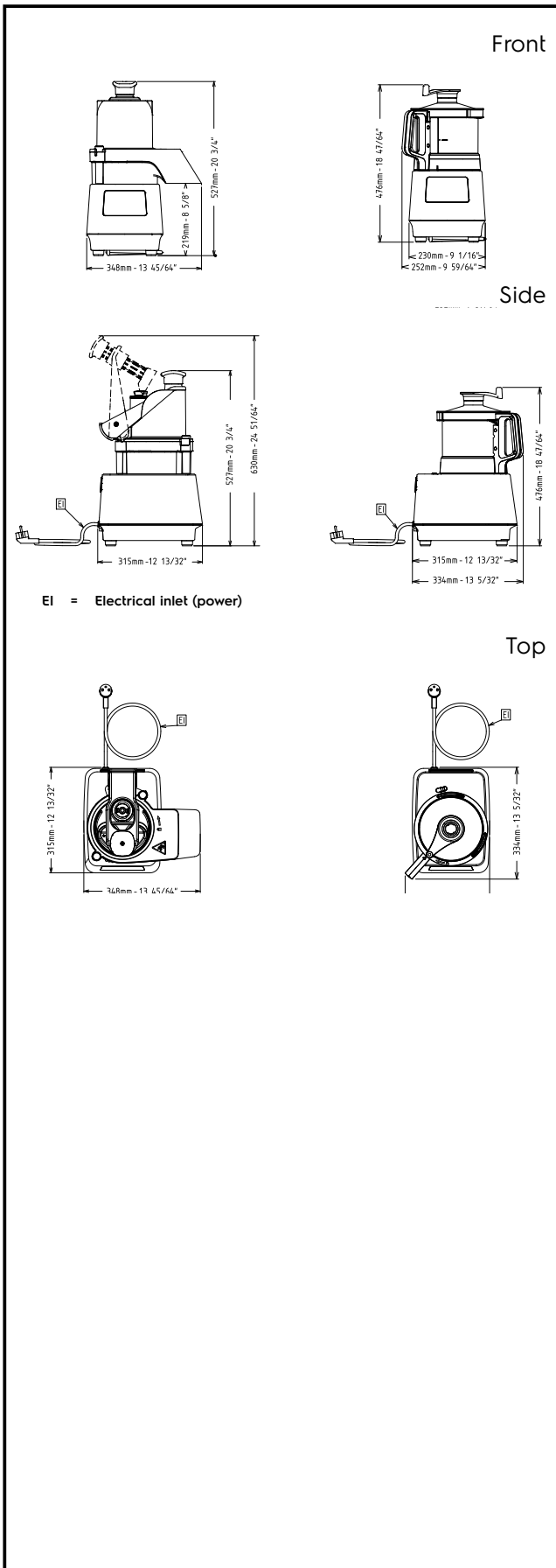
- - NOT TRANSLATED - PNC 650227
- - NOT TRANSLATED - PNC 650228
- - NOT TRANSLATED - PNC 650229
- - NOT TRANSLATED - PNC 650230
- - NOT TRANSLATED - PNC 650231
- - NOT TRANSLATED - PNC 650232
- - NOT TRANSLATED - PNC 650233
- - NOT TRANSLATED - PNC 650234
- - NOT TRANSLATED - PNC 650235
- - NOT TRANSLATED - PNC 650236
- - NOT TRANSLATED - PNC 650237
- - NOT TRANSLATED - PNC 650238
- - NOT TRANSLATED - PNC 650239
- - NOT TRANSLATED - PNC 650240
- - NOT TRANSLATED - PNC 650241
- - NOT TRANSLATED - PNC 650242
- - NOT TRANSLATED - PNC 650243
- - NOT TRANSLATED - PNC 650244
- - NOT TRANSLATED - PNC 650245
- - NOT TRANSLATED - PNC 653632

Included Accessories

- 1 of - NOT TRANSLATED - PNC 650118
- 1 of - NOT TRANSLATED - PNC 650232
- 1 of - NOT TRANSLATED - PNC 650233
- 1 of - NOT TRANSLATED - PNC 650235
- 1 of - NOT TRANSLATED - PNC 650236

Optional Accessories

- - NOT TRANSLATED - PNC 650110
- - NOT TRANSLATED - PNC 650117
- - NOT TRANSLATED - PNC 650118
- - NOT TRANSLATED - PNC 650196
- - NOT TRANSLATED - PNC 650197
- - NOT TRANSLATED - PNC 650198
- - NOT TRANSLATED - PNC 650199
- - NOT TRANSLATED - PNC 650205
- - NOT TRANSLATED - PNC 650207
- - NOT TRANSLATED - PNC 650208
- - NOT TRANSLATED - PNC 650209
- - NOT TRANSLATED - PNC 650210
- - NOT TRANSLATED - PNC 650211
- - NOT TRANSLATED - PNC 650213
- - NOT TRANSLATED - PNC 650214
- - NOT TRANSLATED - PNC 650215
- - NOT TRANSLATED - PNC 650216
- - NOT TRANSLATED - PNC 650217
- - NOT TRANSLATED - PNC 650218
- - NOT TRANSLATED - PNC 650219
- - NOT TRANSLATED - PNC 650220
- - NOT TRANSLATED - PNC 650221
- - NOT TRANSLATED - PNC 650222
- - NOT TRANSLATED - PNC 650223
- - NOT TRANSLATED - PNC 650224
- - NOT TRANSLATED - PNC 650225
- - NOT TRANSLATED - PNC 650226



Electric

Supply voltage:	220-240 V/1N ph/50 Hz
Electrical power max.:	0.5 kW
Total Watts:	0.5 kW

Capacity:

Performance (up to):	150 kg\hour
Capacity:	3.6 litres

Key Information:

External dimensions, Width:	348 mm
External dimensions, Depth:	334 mm
External dimensions, Height:	527 mm
Shipping weight:	19 kg